

## Main features

### Printing type



Barcode



Logos



Alphanumeric text

### Maximum height



0-15 mm



7-20 mm



Above 100 mm

### Printing surfaces



Primary packaging



Secondary packaging



Raw material

- ▶ Compact design in less than 3 Kg (6 lbs) for easy set-up and integration on all production lines.
- ▶ Single line coding from 7 to 20 mm print height, on both porous and non-porous substrates.
- ▶ Innovative 5,7" touch screen panel with backlit LCD (320 x 240) display.
- ▶ Advanced hydraulic system, no need of factory air.
- ▶ Zanasi renowned robust solenoid printhead technology.

# Z101

## TECHNICAL SPECIFICATIONS

### PRINTING CHARACTERISTICS

- Single line coding with 7 dot printhead
- Print height from 7 to 20 mm (0,28" – 0,79")
- Line speed capability: up to 60 mt/min (197 ft/min)
- Printing rate: up to 150 ct/sec
- 100 messages storage
- 80 characters for each message
- Available font: 5x5 and 7x5
- Bold factor: up to 5 times
- Automatic calendar and expiration date print
- Incremental/Decreasing products counter up to 9 digits
- Repeat - message function
- Printing in all moving direction
- 180° text rotation
- Coding throw distance up to 20 mm (0,8")

### CONTROL UNIT CHARACTERISTICS

- Internal pump for ink pressurization
- 5,7" touch screen panel with backlit LCD (320 x 240) display
- Stainless steel structure AISI 304
- IP54 rating

### GENERAL FEATURES

- Print parameters storage in the messages
- Report function for executed printing counter
- Keypad access with password
- Intuitive ease of use software interface
- Built-in multiple languages and alphabets
- Simple prime and printing functions selectable from touch screen panel
- Rapid dry and high adhesion inks

### PRINTHEAD

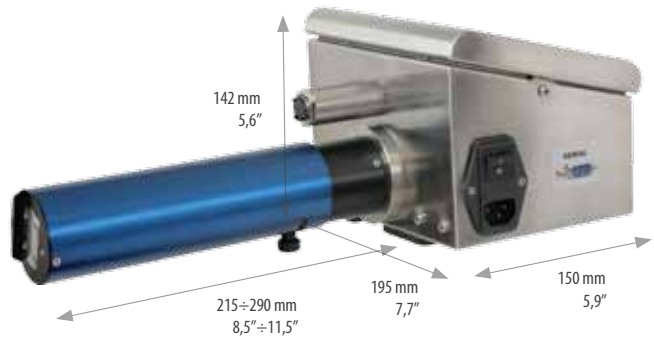
- Serviceable and replaceable
- High speed solenoid technology
- Slant function for multiple character print height
- Expandable capability up to 75 mm (2,9") for optimal product approach
- Stainless steel structure AISI 304
- Dimensions console:  
142 mm x 195 mm x 365 mm / 440mm  
(5,6" x 7,7" x 14,4" / 17,3")

### EXTERNAL CONNECTIONS

- Serial connection: RS232
- Integrated optical sensor for product reading
- Visual and acoustic alarm

### ENVIRONMENT/ELECTRICAL REQUIREMENTS

- Temperature: 5° - 45°C (41°-113°F)
- Humidity: 0 - 90% (non-condensing)
- Single Phase, 85-240 Vac, 50-60 Hz, 30 VA



20 mm  
0,79" 7 DOT FONT 20MM HEIGHT



7 mm  
0,28" 7 DOT FONT 7MM HEIGHT



Use a QR code reader to see the product page